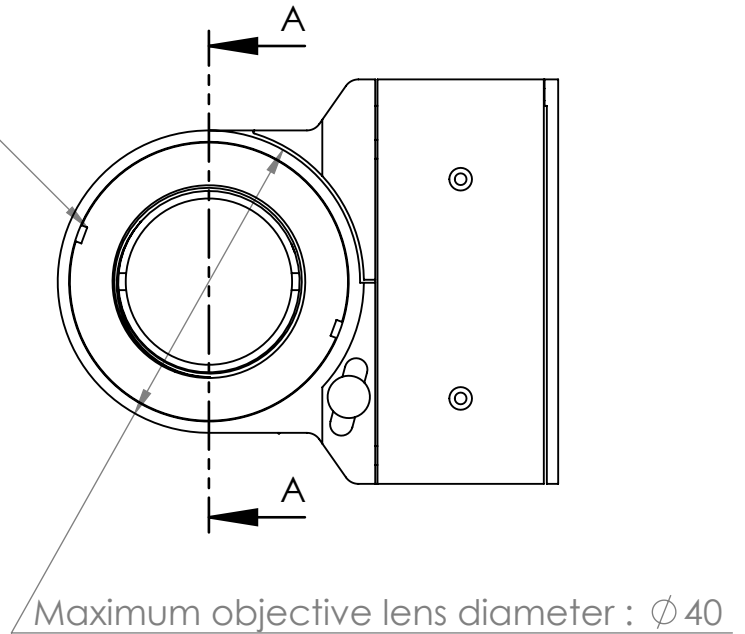
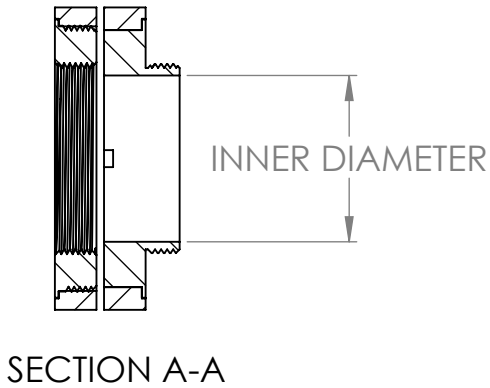


Clamping screw for the threaded ring

Clamping lugs for the tapped ring



SAFETY NOTES :

- THE STAGE BODY MOVES DURING OPERATION. PLEASE ALLOW A MINIMUM CLEARANCE OF 0.5 mm BETWEEN THE STAGE BODY AND ANY ADJACENT SURFACE.
- DO NOT SQUEEZE THE STAGE BODY

SIZE	THREAD SIZE	INNER DIAMETER
RMS	W0.8 x 1/36"	14
M25	M25 x 0.75	22
M26	M26 x 1/36"	23
M27	M27 x 0.75	24
M32	M32 x 0.75	29