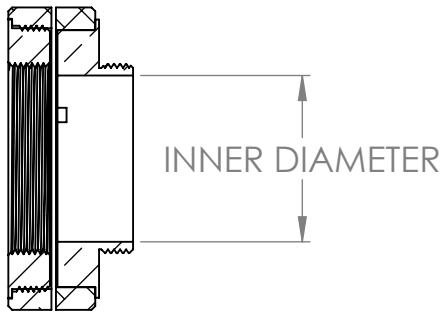
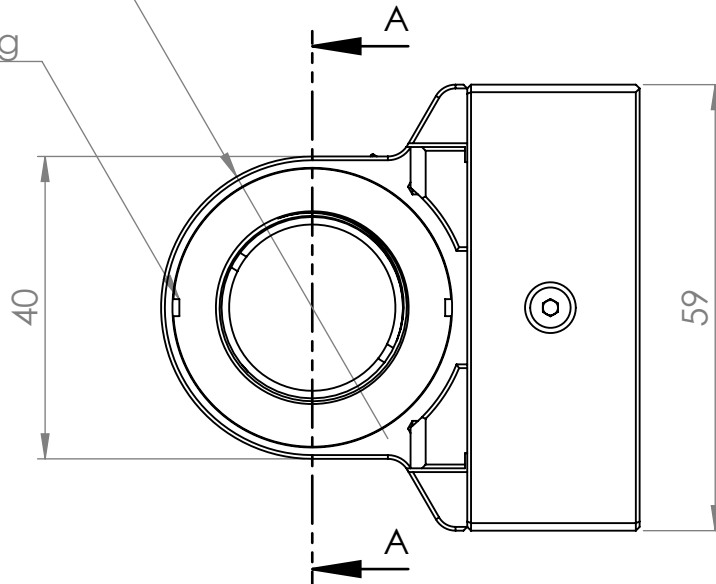


Objective lens maximum diameter $\phi 40$

Clamping lugs for the tapped ring



SECTION A-A



SIZE	THREAD SIZE	INNER DIAMETER
RMS	W0.8 x 1/36"	14
M25	M25 x 0.75	22
M26	M26 x 1/36"	23
M27	M27 x 0.75	24
M32	M32 x 0.75	29