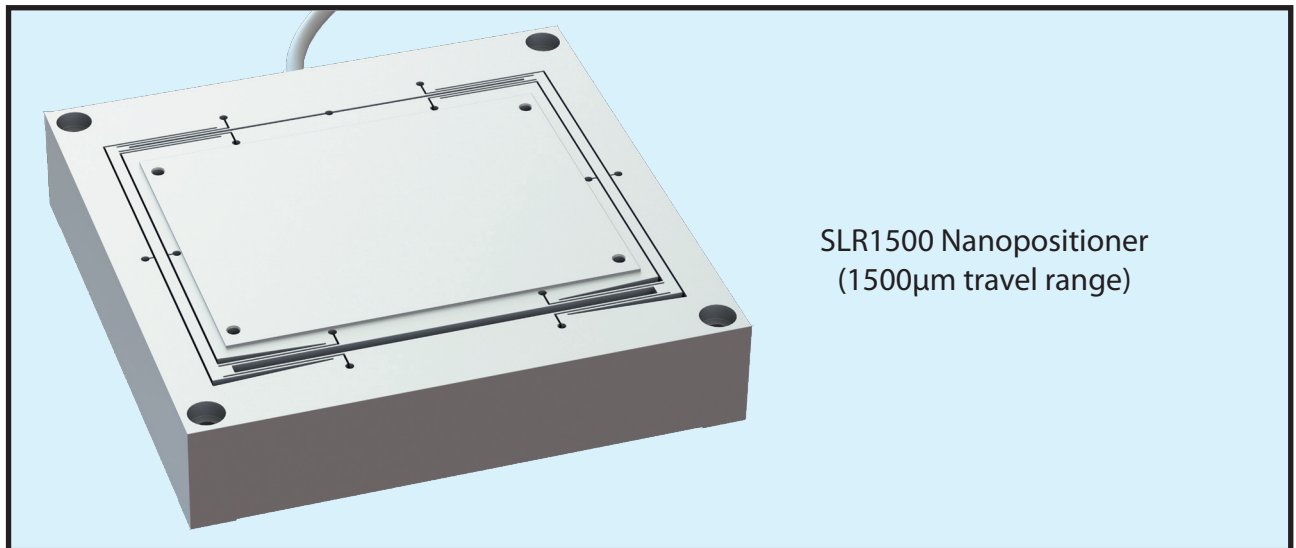


SLR1500 NANOPositionER

The SLR1500 is the longest travel range (1500 microns) piezostage that we offer in our product line.

In comparison to other systems on the market, this stage is exceptionally reliable due to a totally frictionless assembly.

It can be combined to form 2 or even 3-axis nanopositioning systems.



Features

- 1500 μ m motion
- Closed loop control
- Silicon sensor technology
- Less than 150pm noise floor
- Exceptionally reliable due to a frictionless assembly
- 5 years warranty

Applications

- Research and Industry
- Nanolithography
- Adaptative optics
- SPIM imaging
- Nano-FTIR

Specifications

	SLR1500
Range of motion (μm)	1500
Resolution (nm)	1,5
Typical noise floor (nm)	0,15
Full range repeatability (nm)	3
Linearization (typical)	0,02%
Resonant frequency (Hz)	135
Stiffness (N/ μm)	0,15
Maximum load (kg) - horizontal use	1
Maximum load (kg) - vertical use	0,5
Sensor	Silicon HR sensor
Size W x L x H (mm)	100 x 100x 20,6
Material	Al
Cable length (m)	2
Recommended Controller	Standard

Drawing

