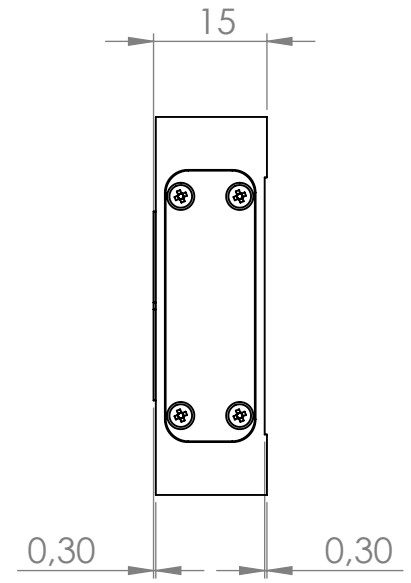
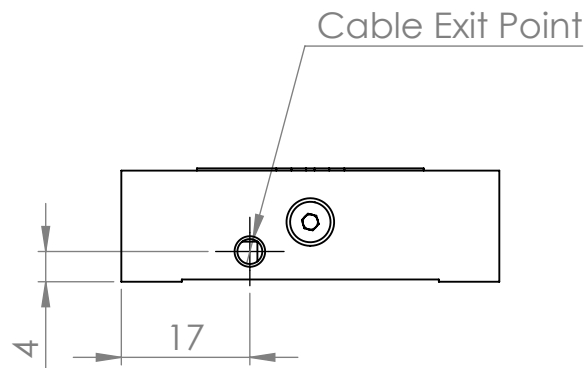


4 x tapped holes M2,5



4 x C-Bored for M3 CHC



Cable Exit Point

