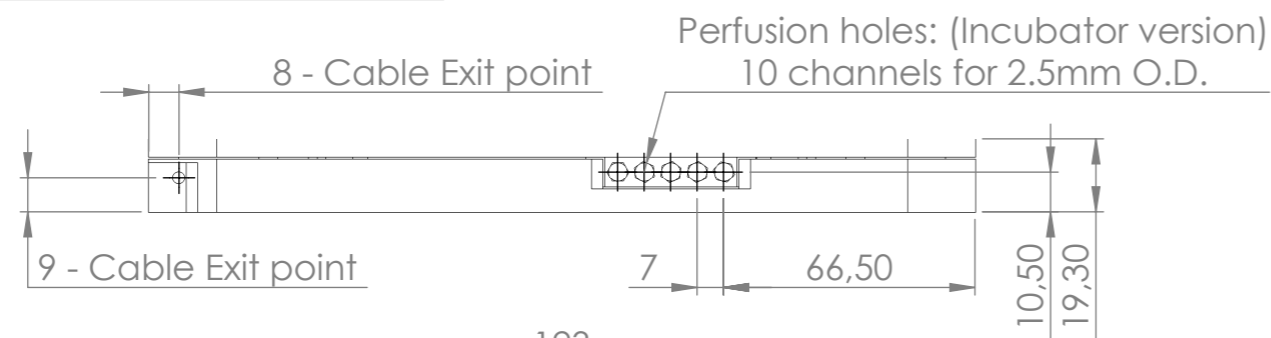
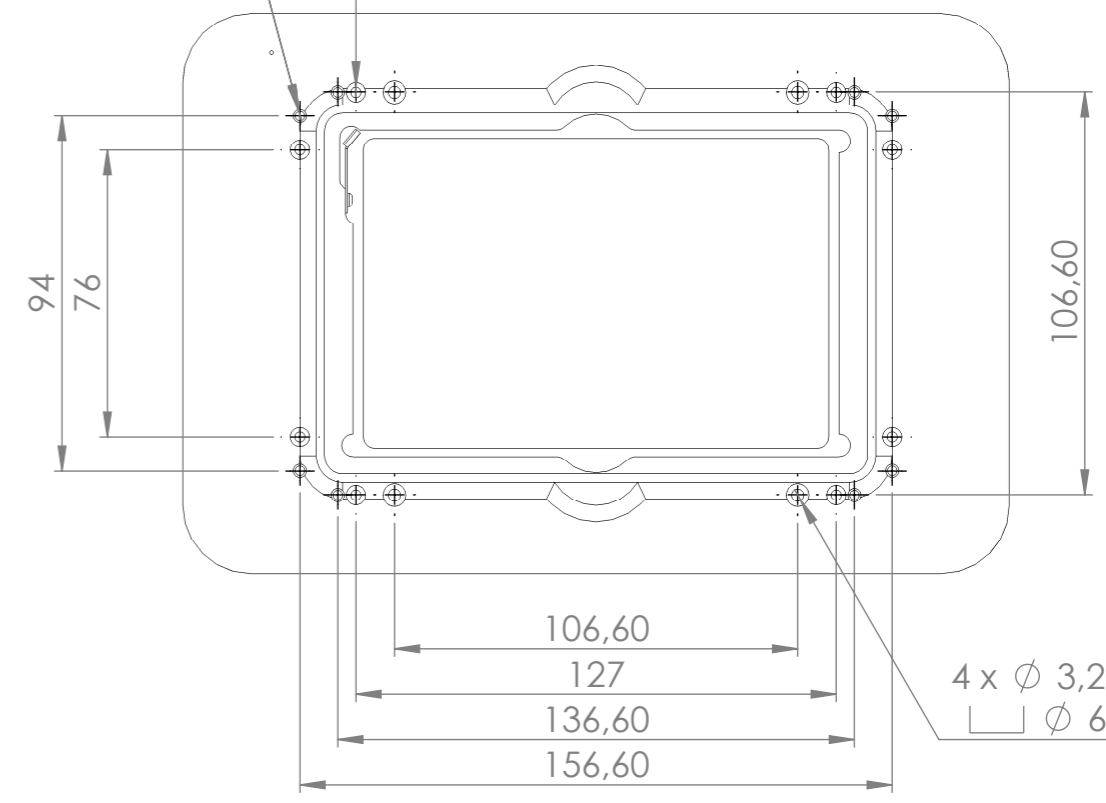
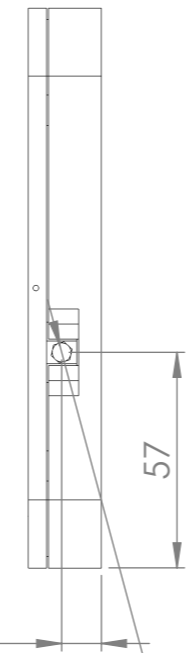


8 x ϕ 3,50 ∇ 16
8 x M3 - 6H THRU

8 x ϕ 2,70 THRU
 \square ϕ 5,10 ∇ 16



clamping hose fitting (Incubator version)
(ID connectable ϕ 2.5 mm)

