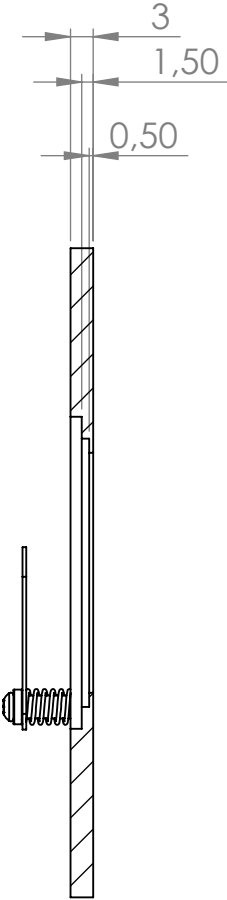
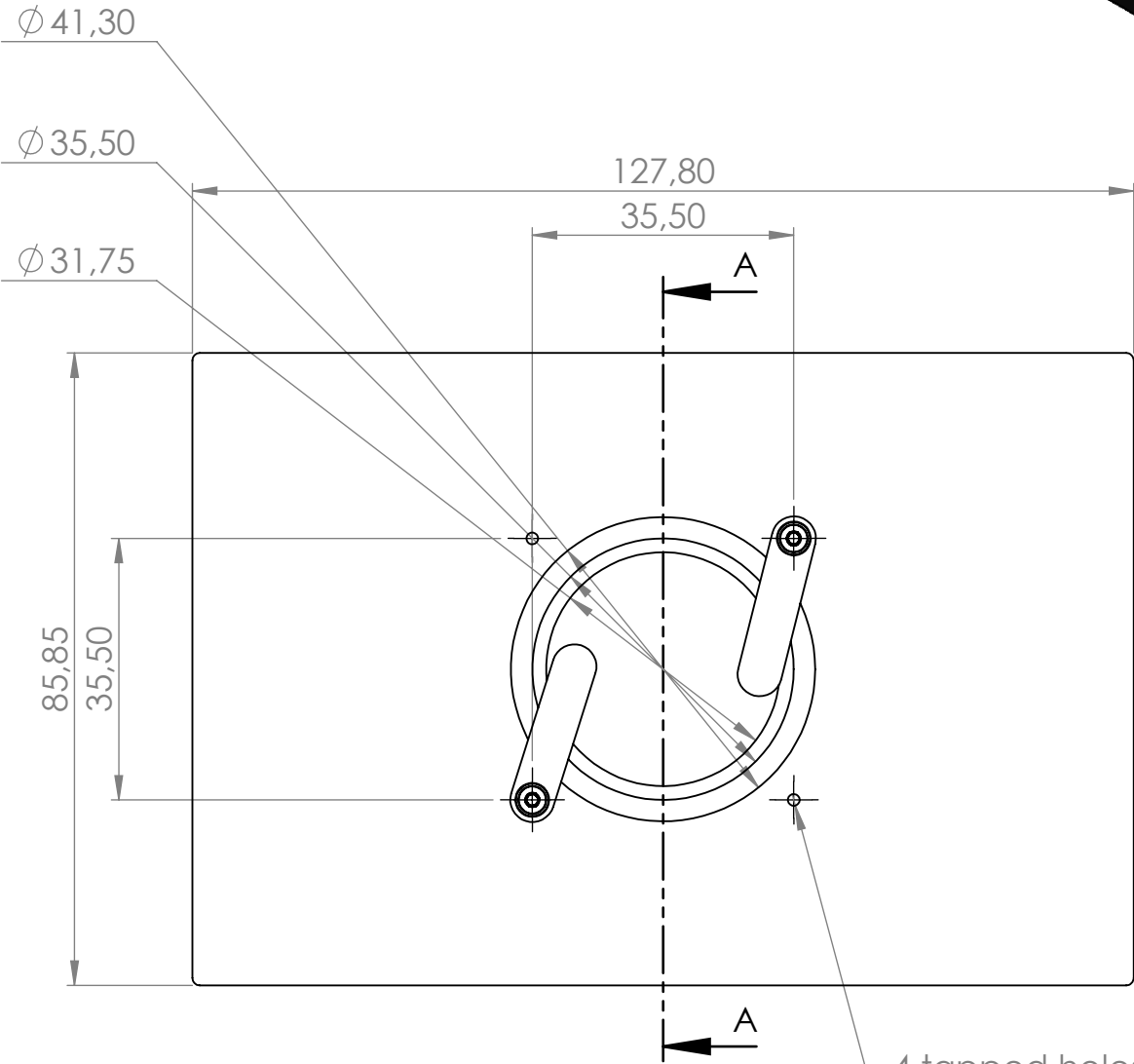
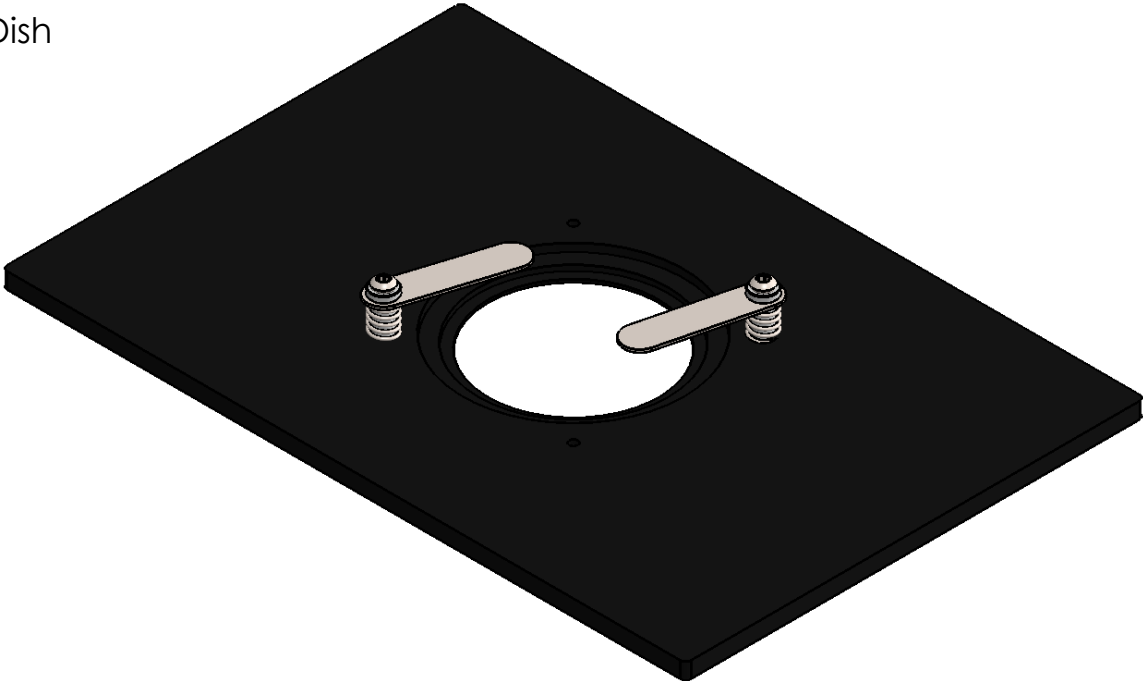


Z-Insert Sample holder for 35 mm Petri-Dish



4 tapped holes M2