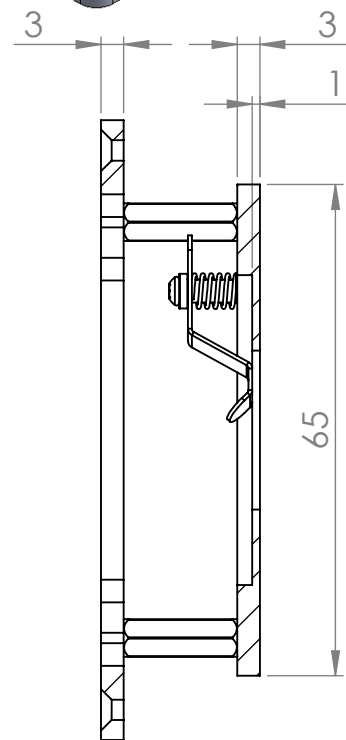
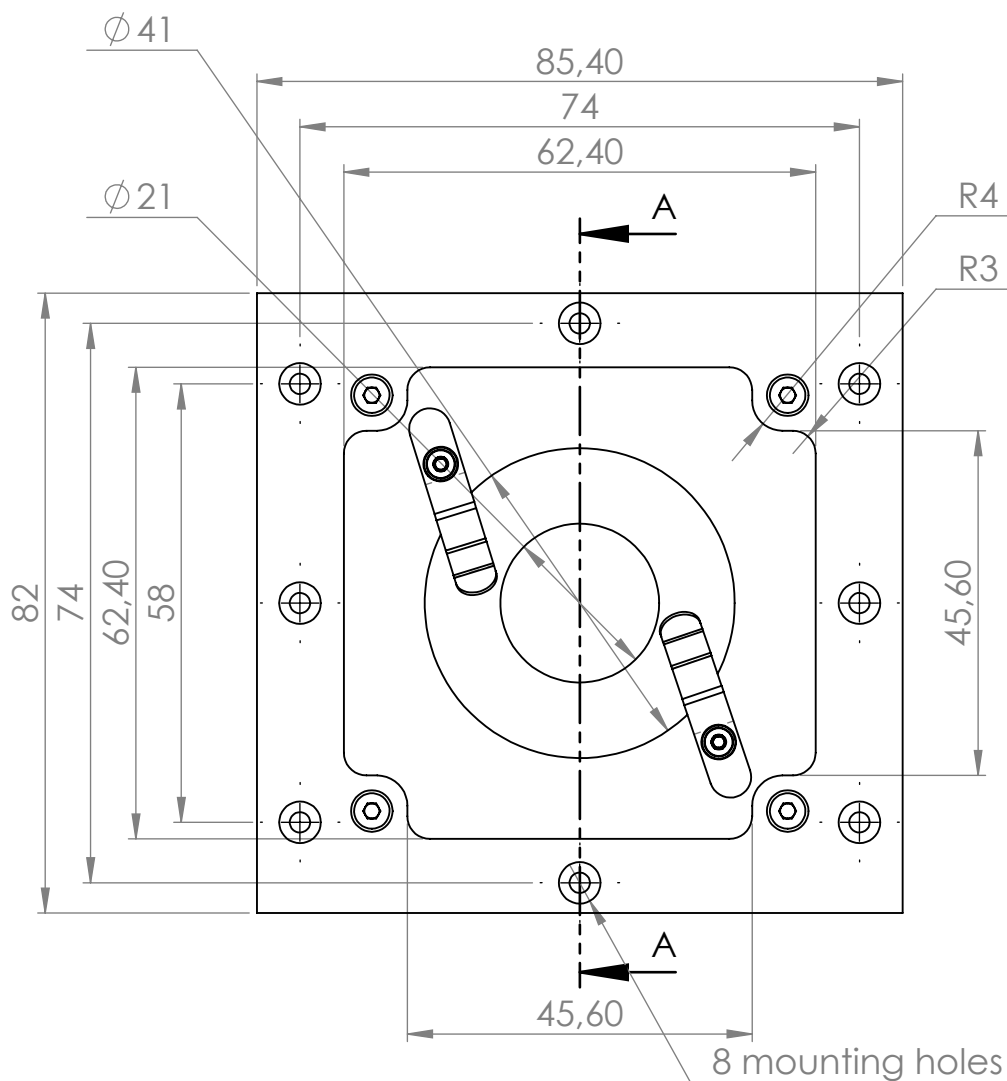
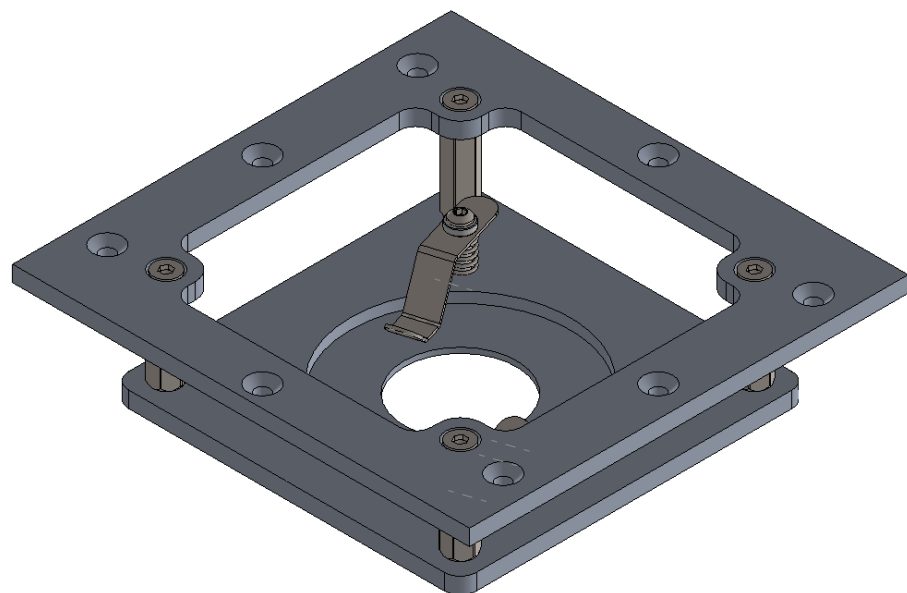
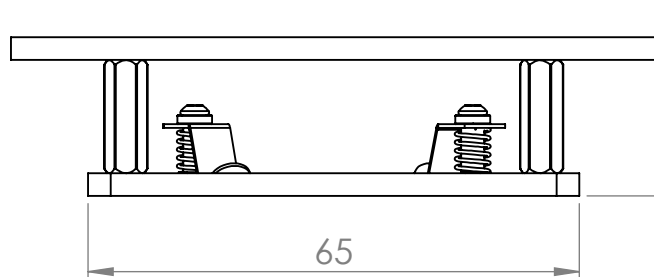


Re-entrant Sample Holder for microscope Coverslip

Compatible with :
LT2 / LT3 / LFHS2 / LFHS3 nanopositioners



COUPE A-A



- Post length are dependent on piezostage models
- Post length can be longer or shorter on request