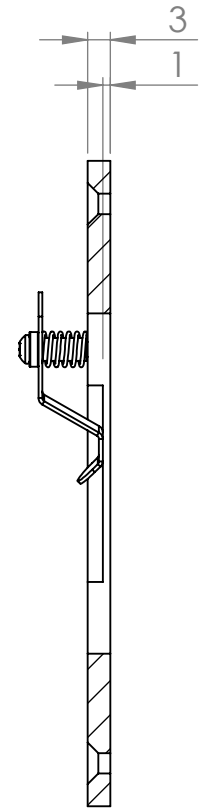
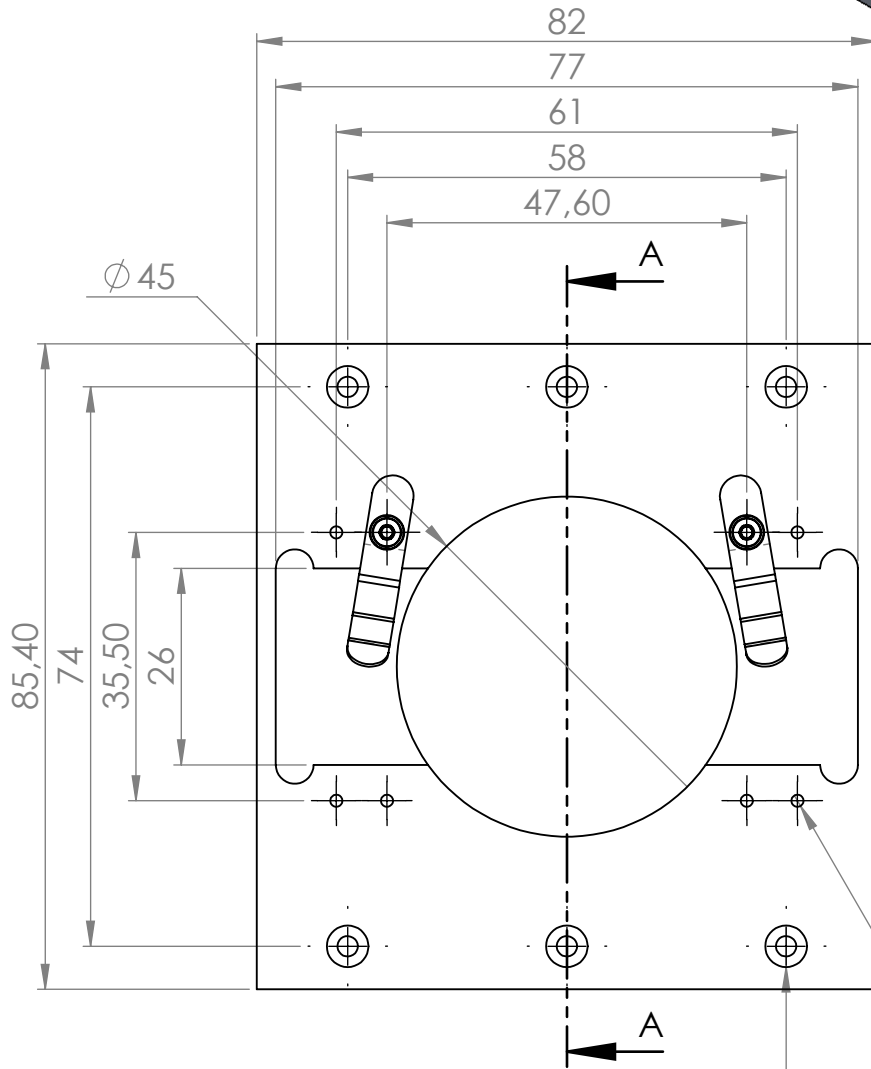
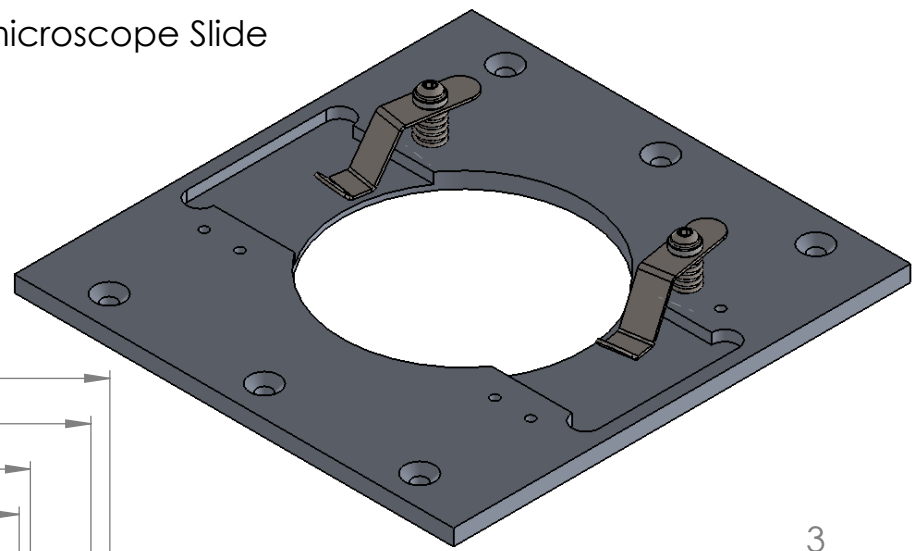


Top mounted Sample Holder for 75 mm long microscope Slide

Compatible with :
LT2 / LT3 / LFHS2 / LFHS3 nanopositioners



8 tapped holes M2

COUPE A-A

6 mounting holes for M2,5 Countersunk screw



on request, it can be proposed with additional spacers for raising the sample holder