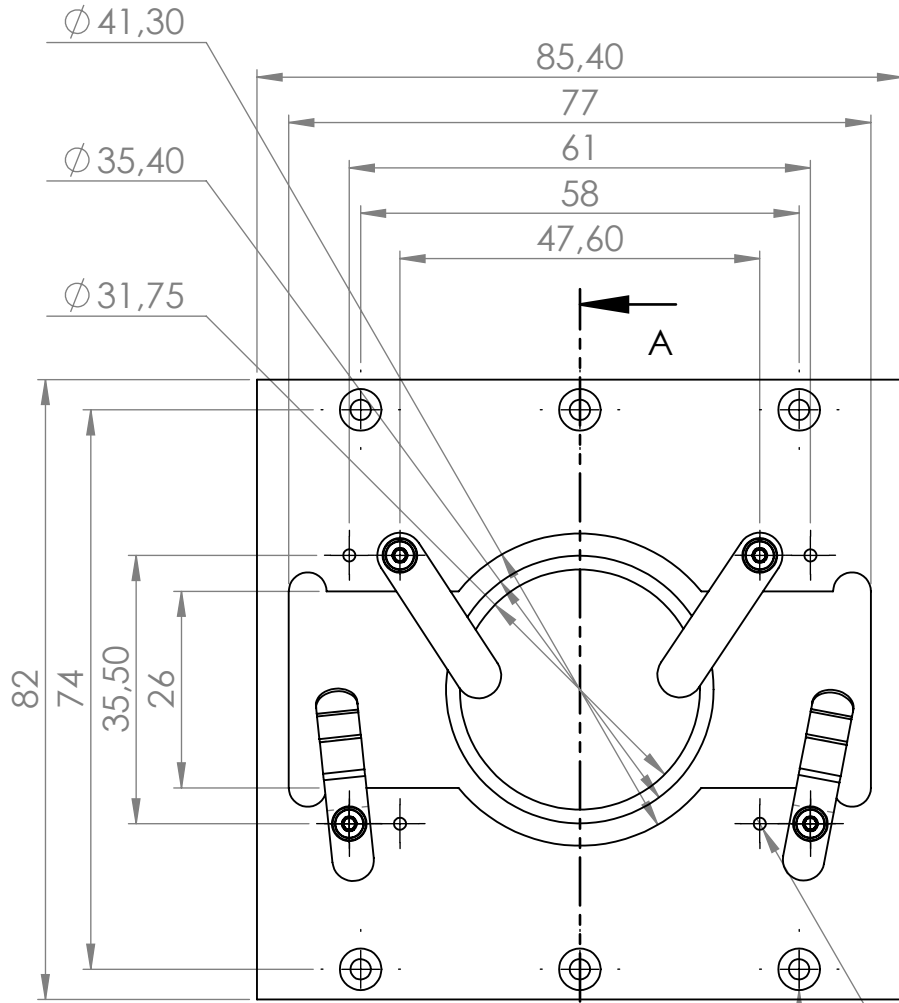
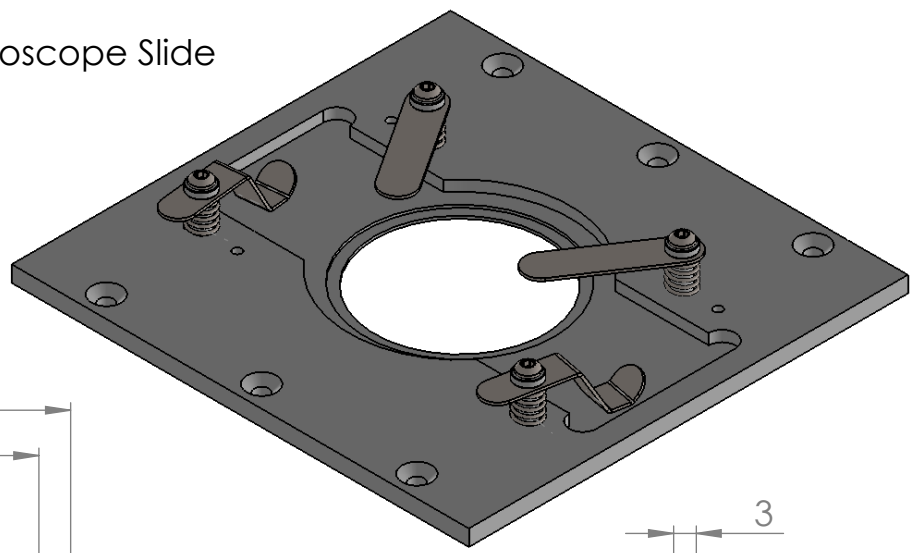


Top mounted Sample Holder for 75 mm long microscope Slide and 35mm Petri-Dish

Compatible with :
LT2 / LT3 / LFHS2 / LFHS3 nanopositioners



$\phi 41,30$

$\phi 35,40$

$\phi 31,75$

85,40

77

61

58

47,60

A

82

74

35,50

26

A

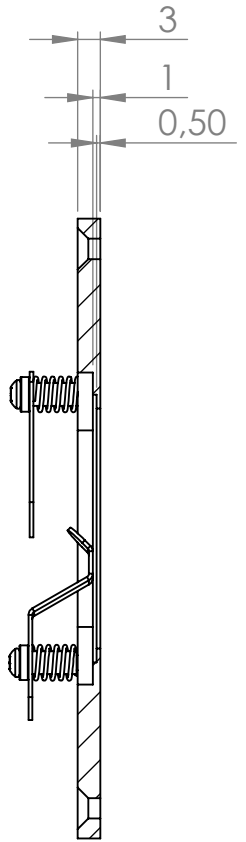
8 tapped holes M2

6 mounting holes for M2,5 Countersunk screw

COUPE A-A



on request, it can be proposed with additional spacers for raising the sample holder



3

1

0,50