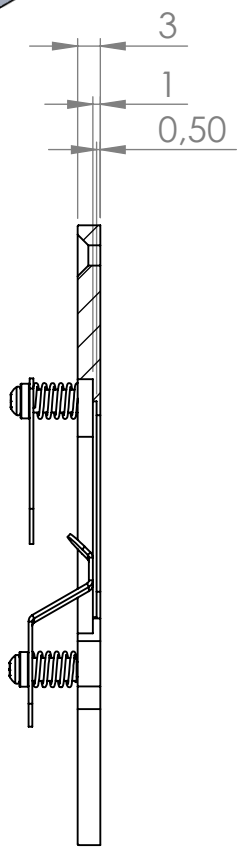
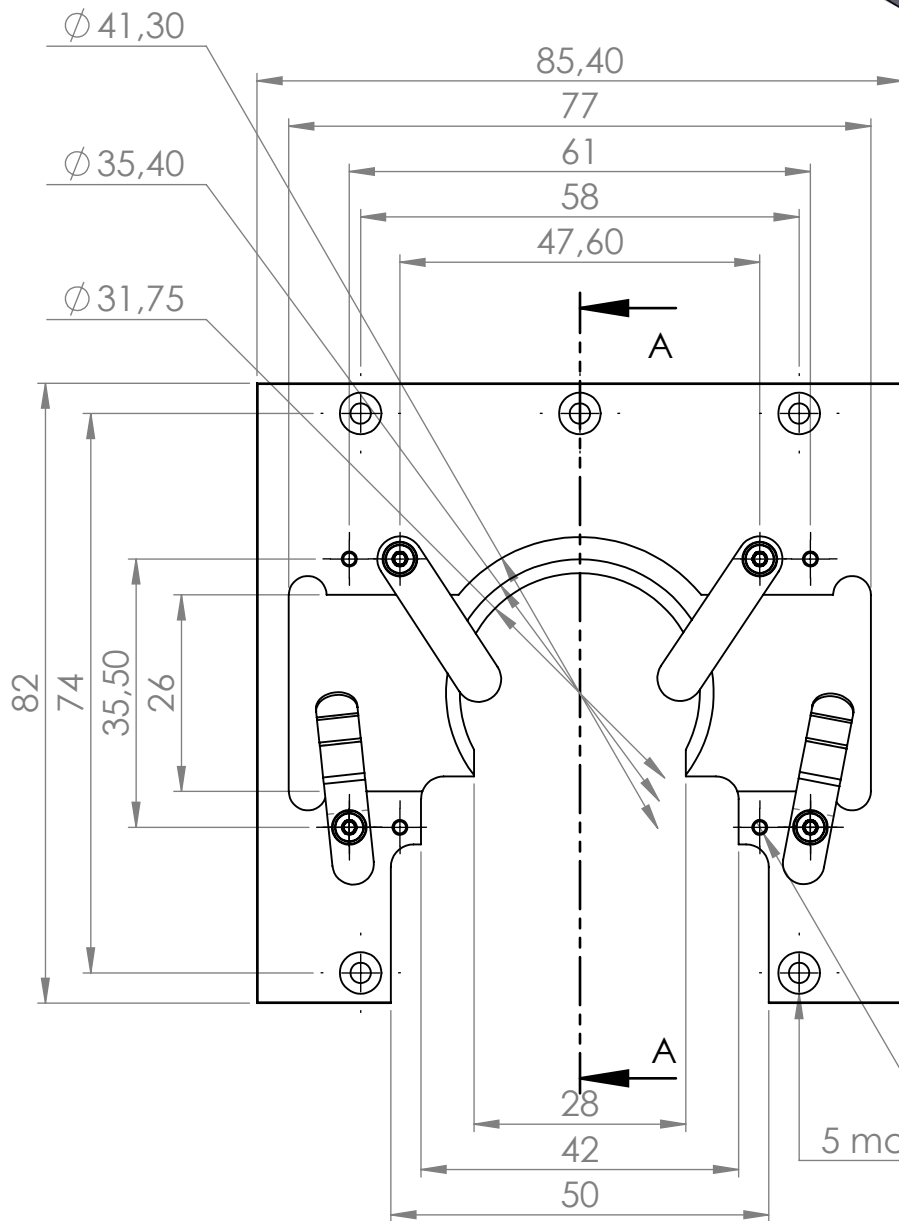
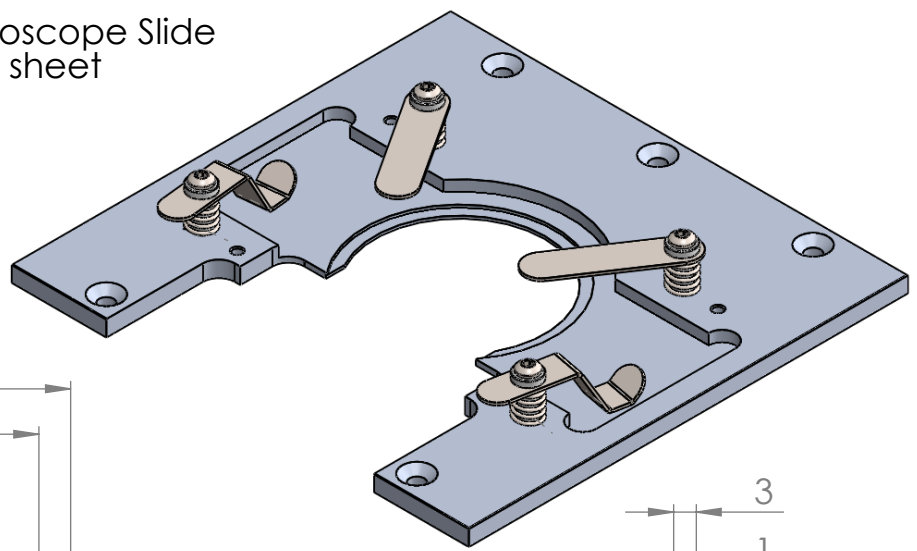


Top mounted Sample Holder for 75 mm long microscope Slide and 35mm Petri-Dish with lateral aperture for light sheet microscopy

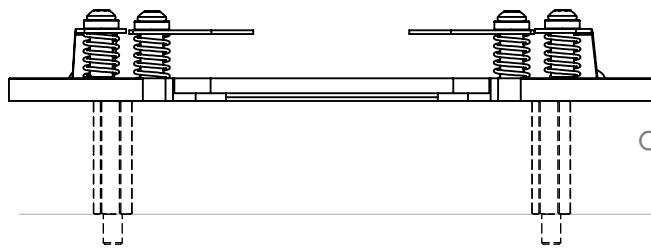
Compatible with :
LT2 / LT3 / LFHS2 / LFHS3 nanopositioners



8 tapped holes M2

5 mounting holes for M2,5 Countersunk screw

COUPE A-A



on request, it can be proposed with additional spacers for raising the sample holder