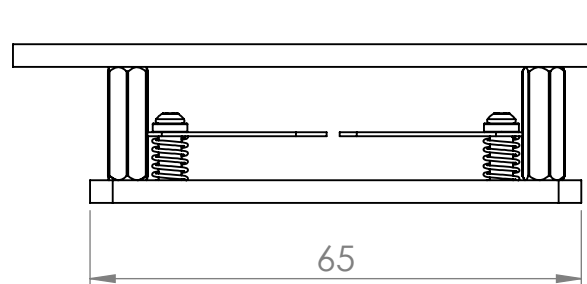
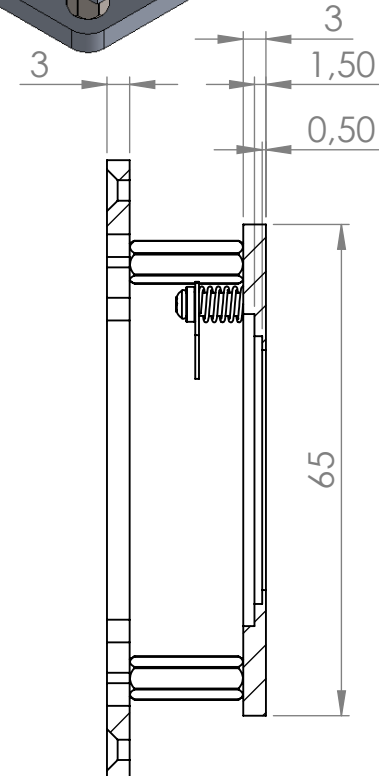
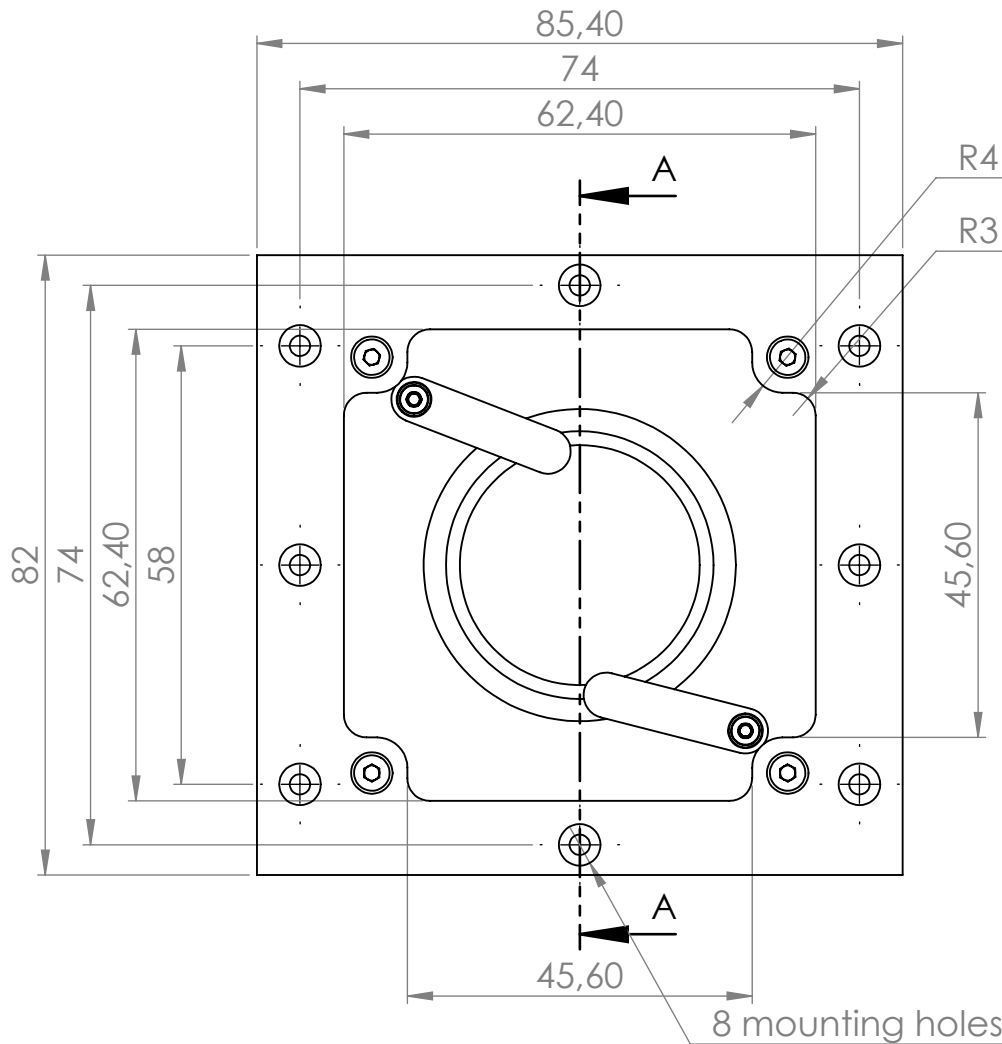
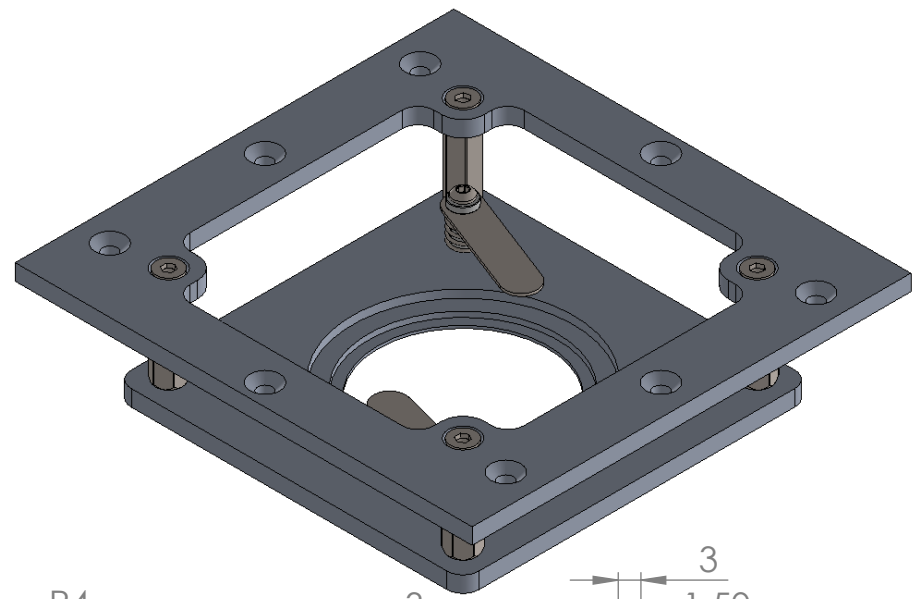


Re-entrant Sample Holder for 35 mm Petri-Dish

Compatible with :
LT2 / LT3 / LFHS2 / LFHS3 nanopositioners



- Post length are dependent on piezostage models
- Post length can be longer or shorter on request