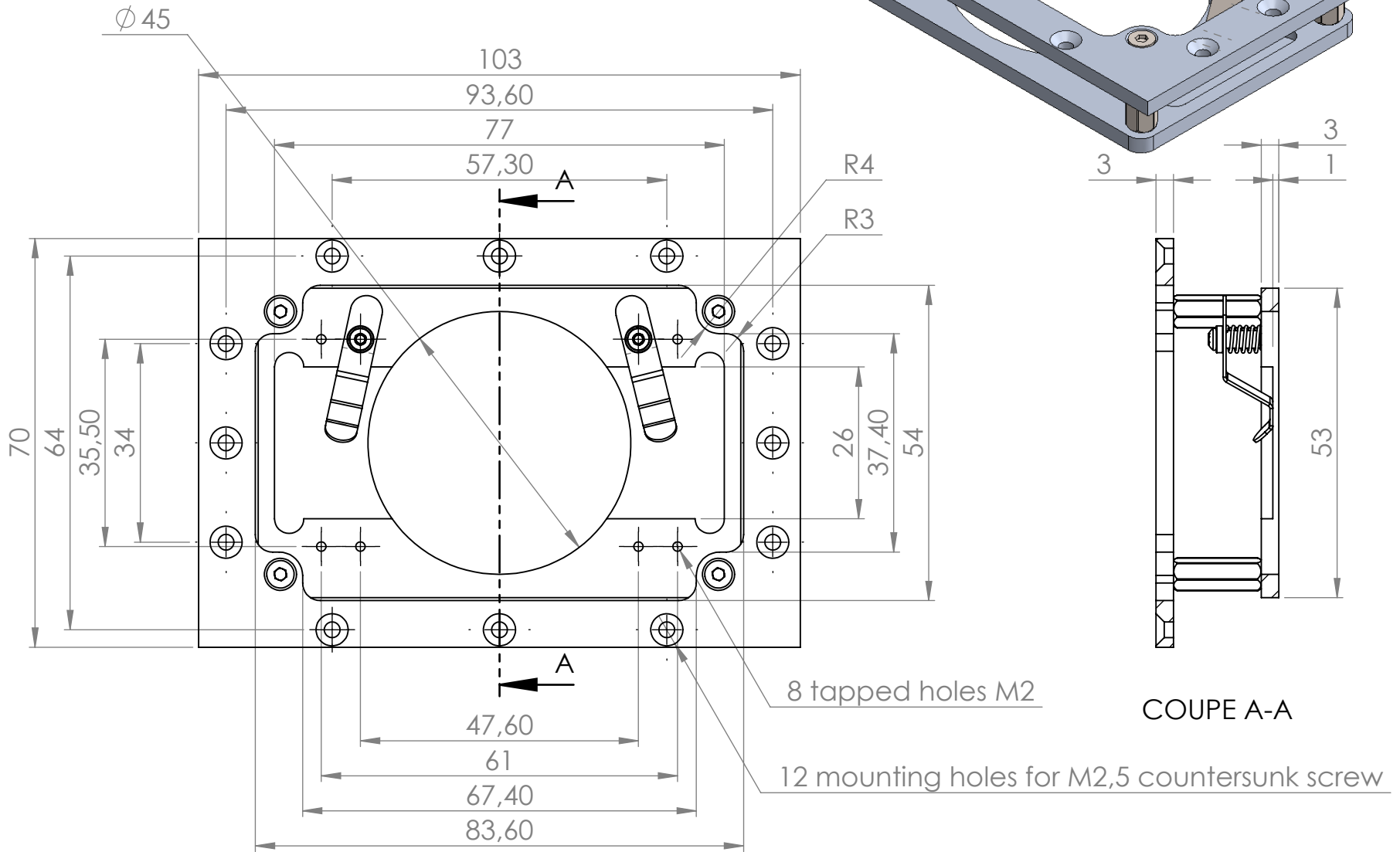
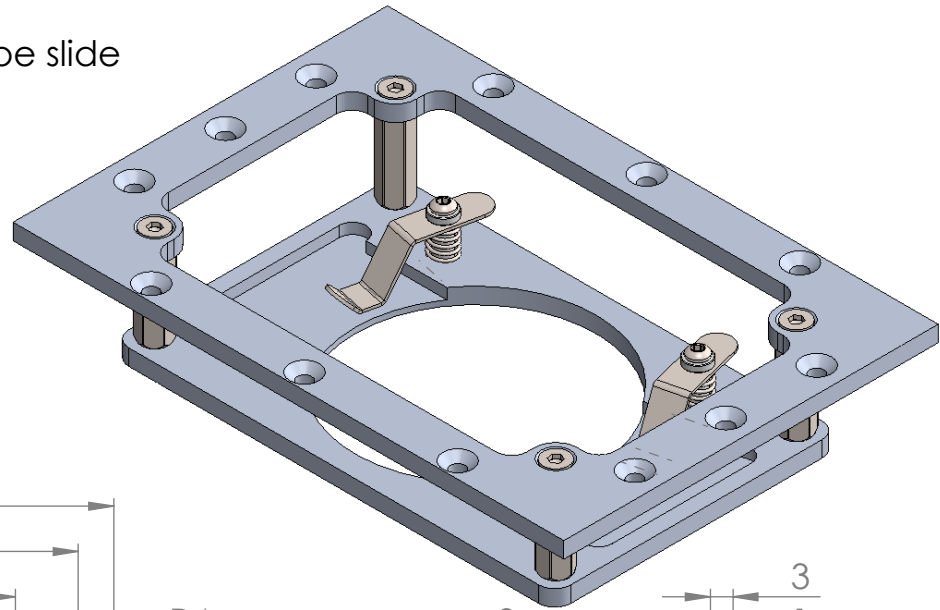
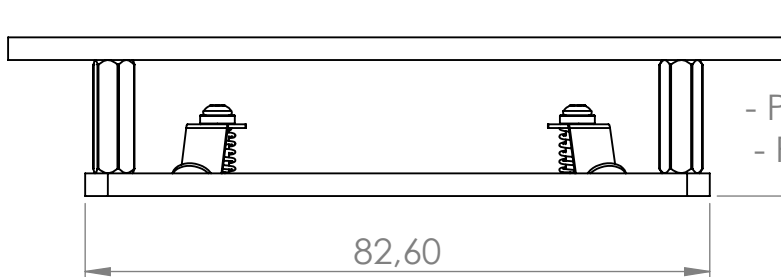


# Re-entrant Sample Holder for 75 mm long microscope slide

Compatible with :  
BIO2 / BIO3 / LTHS2 nanopositioners



COUPE A-A



- Post length are dependent on piezostage models  
- Post length can be longer or shorter on request