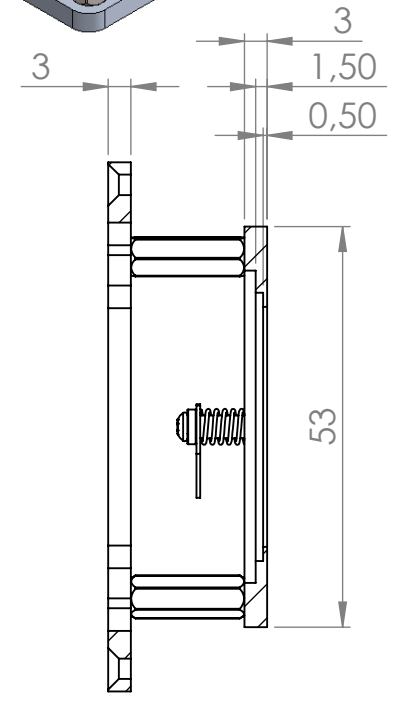
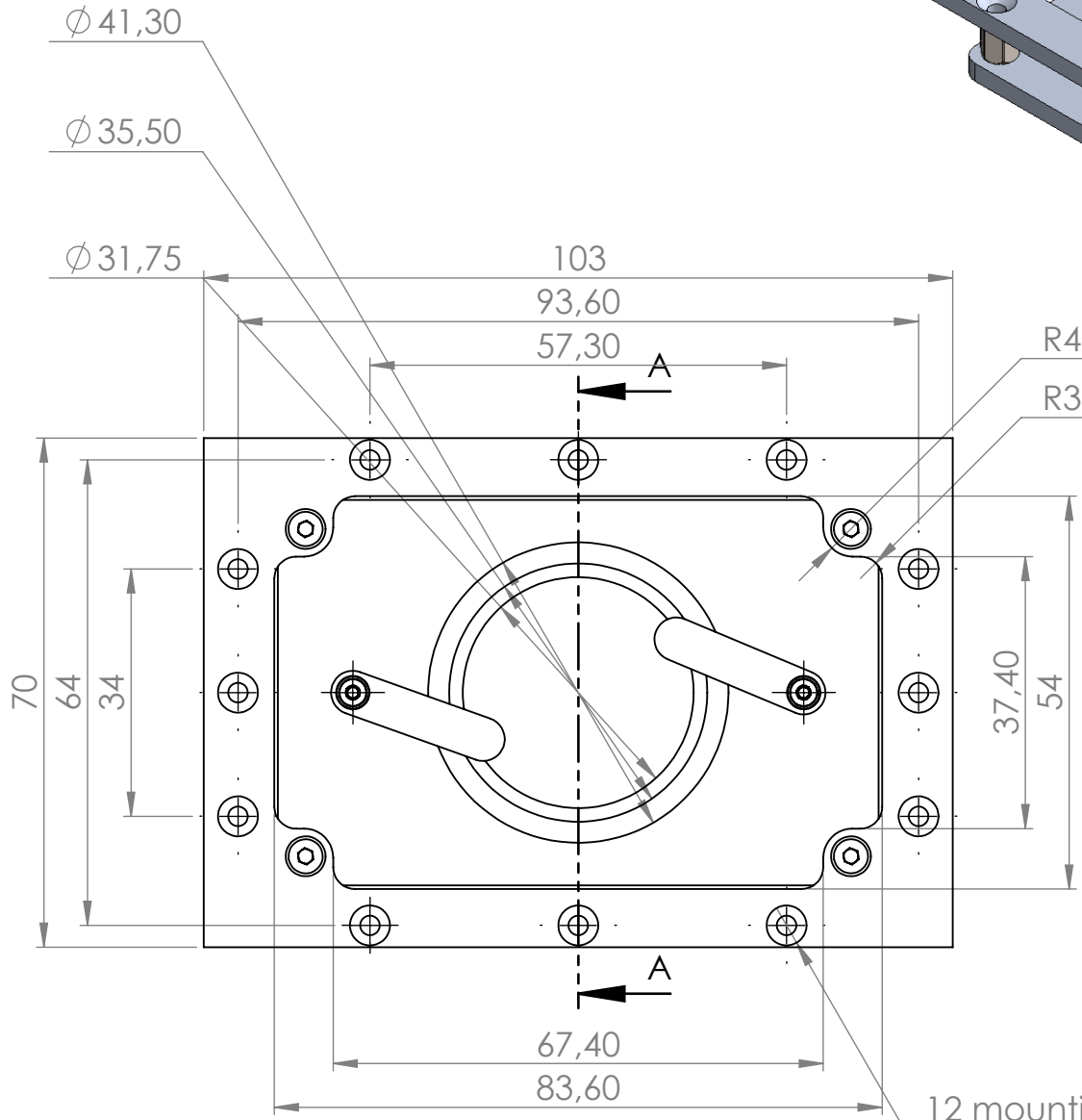
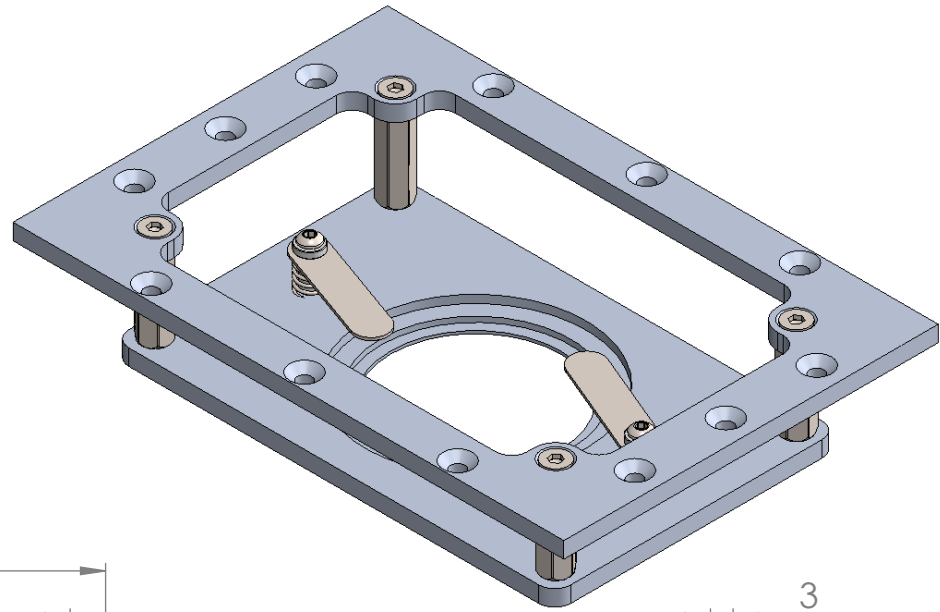
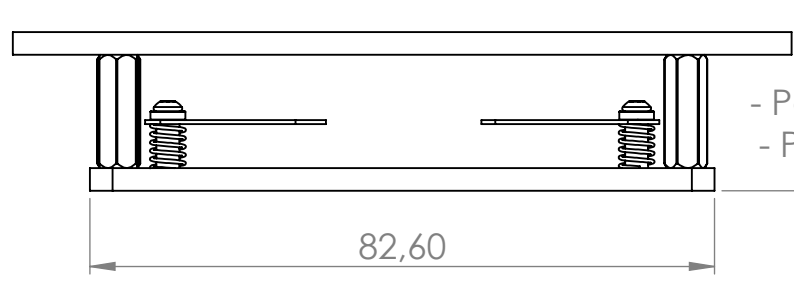


Re-entrant Sample Holder for 35 mm Petri-Dish

Compatible with :
BIO2 / BIO3 / LTHS2 nanopositioners



12 mounting holes for M2,5 countersunk screw



- Post length are dependent on piezostage models
- Post length can be longer or shorter on request