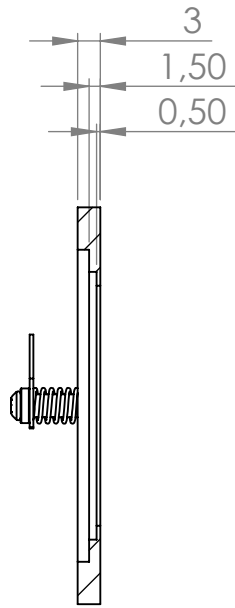
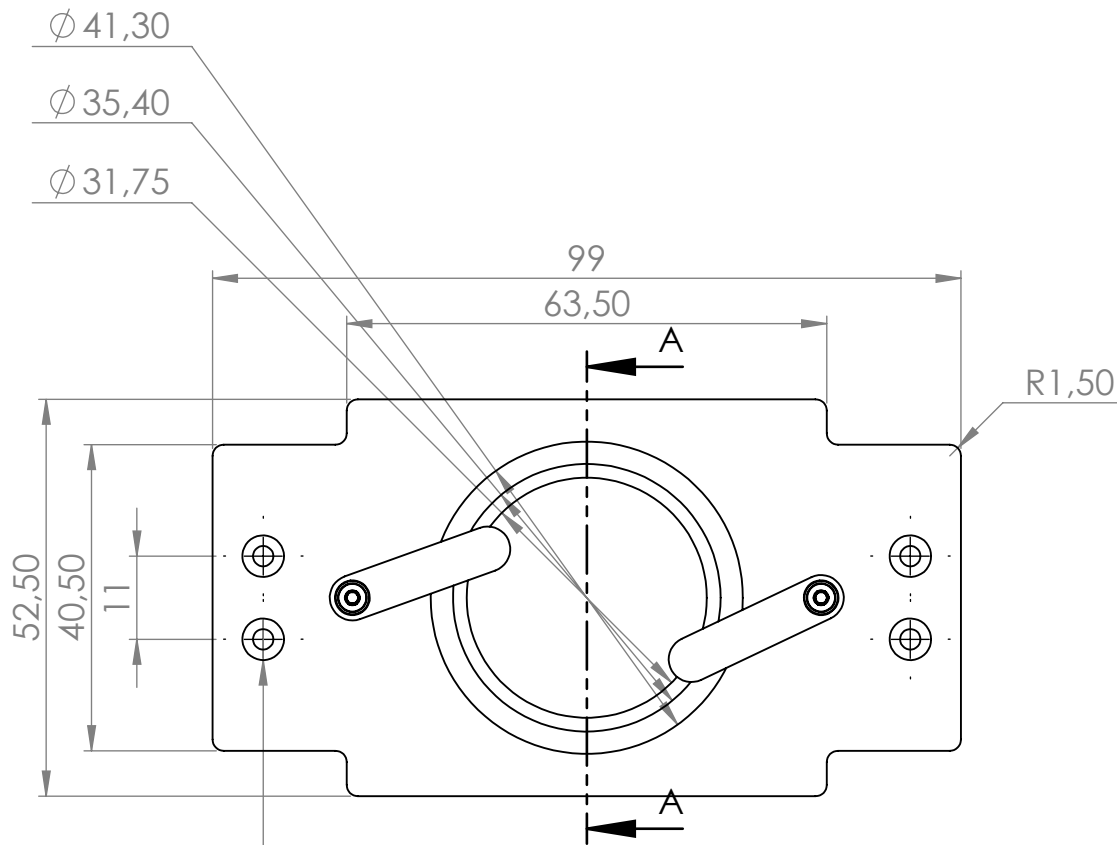
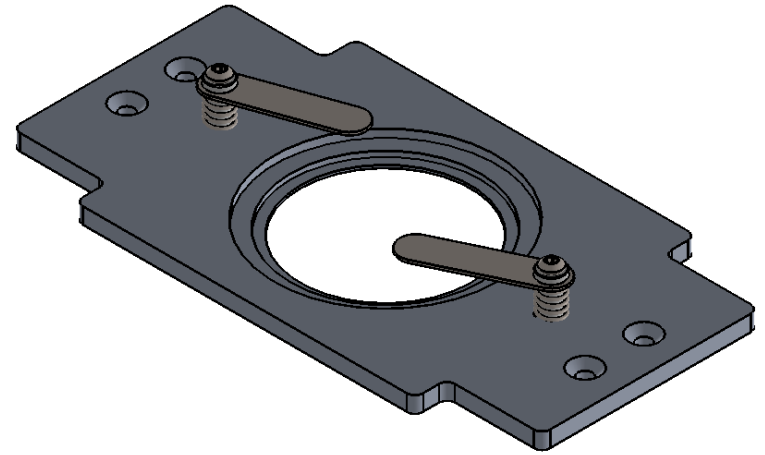


Light Sample Holder for 35 mm Petri-Dish

Compatible with :
LTHS3 nanopositioner



COUPE A-A

4 mounting holes for M2,5 Countersunk screw